

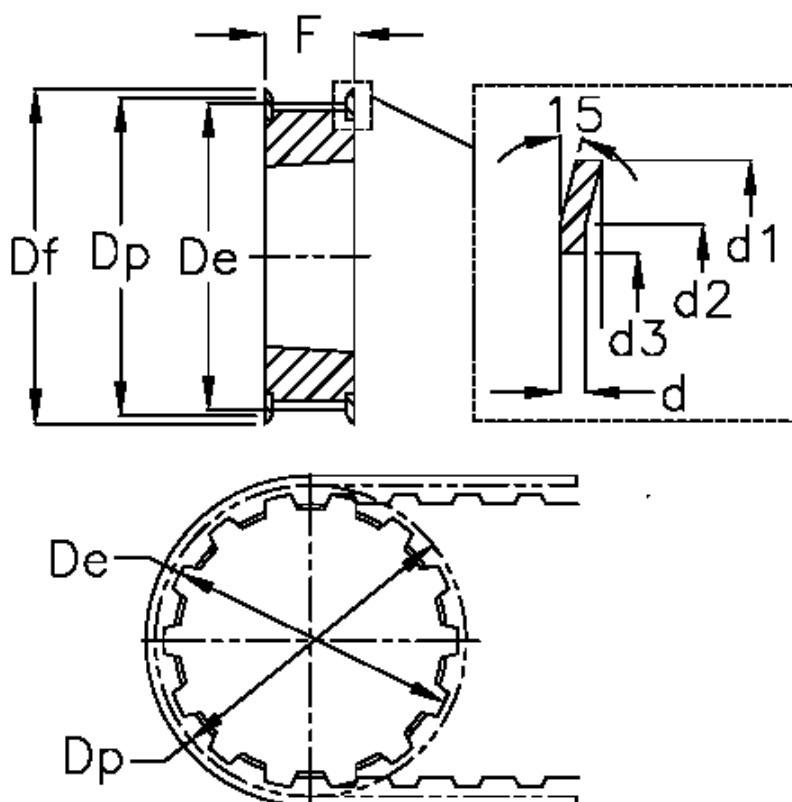
Data Sheet



Article number: 604132034030

Description: Taper bored timing belt pulley
HTD 34 8M 30 TL 1615

Measures



$d = 1.5$	Flange type = F31
$d1 = 91$	For bushing = 1615
$d2 = 85.5$	Max bore = 42
$d3 = 76$	S = 38
$De = 85.22$	Tooth number = 34
$Df = 91$	Type = 8M
$Dp = 86.58$	Weight = 0.77
$F = 38$	Width = 30